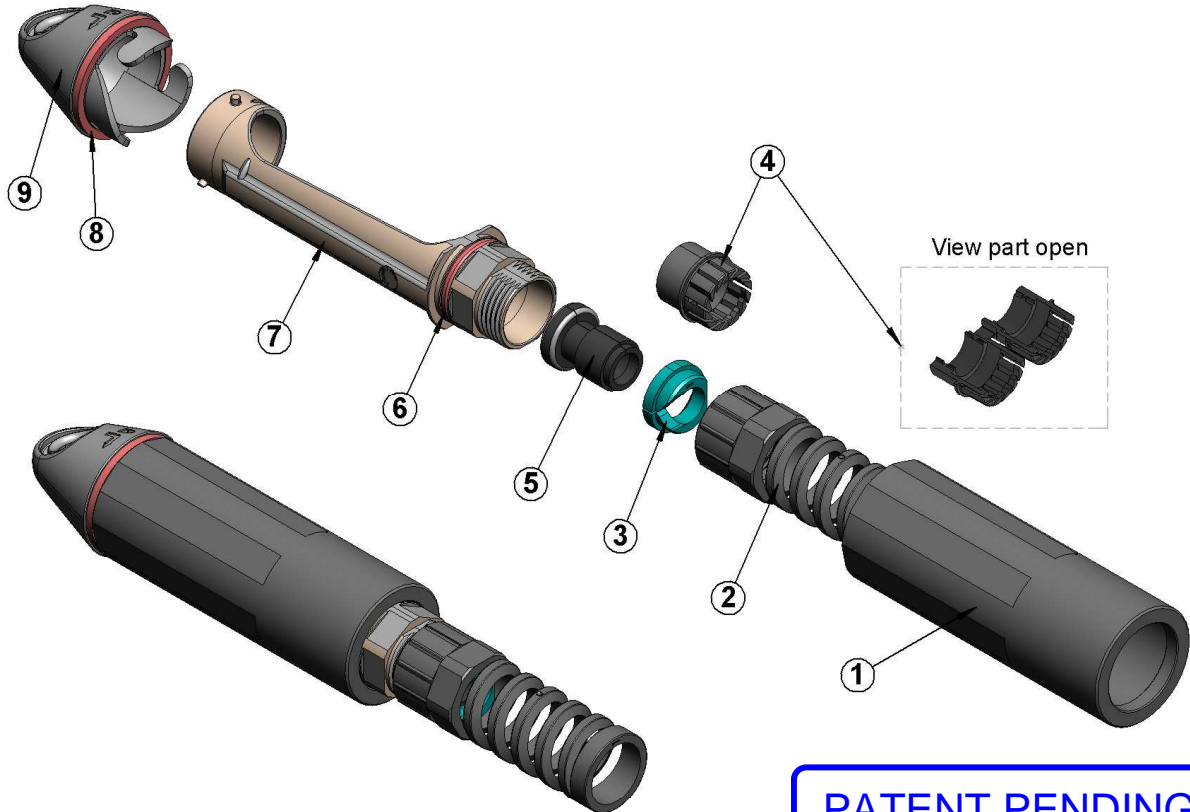
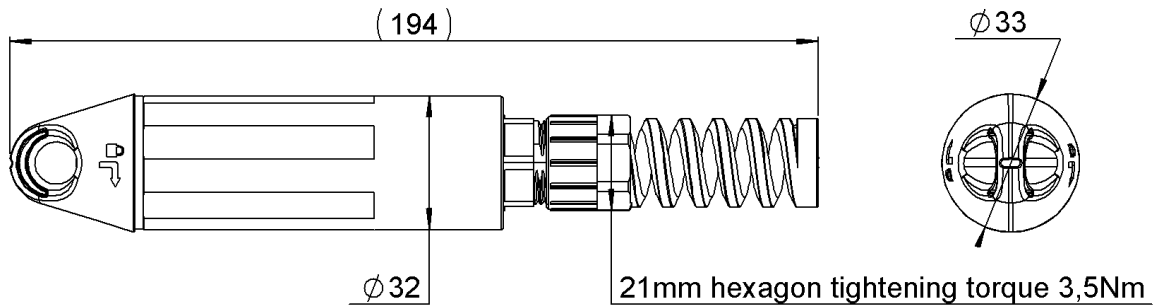


Dimensions in mm



PATENT PENDING



DESCRIPTION

REP	COMPONENT	MATERIAL	PLATING
1	COUPLING NUT	ALUMINIUM	NONE
2	NUT TAIL OF PIG	PA6.6 GF	NA
3	TIGHTENING CONE	PA6.6	NA
4	CLAMP NUT ELASTIC SHELL	PA6.6	NA
5	CLAMP SPLIT GASKET	NITRILE (NBR)	NA
6	O-RING BODY GASKET	SILICONE	NA
7	PLUG BODY	ZAMAK	NICKEL
8	GASKET SEALING CAP	SILICONE	NA
9	PLUG PROTECTION CAP	PBT GF	NA

**CREATION**  
 N°Project : EPC0812  
 Name : RV  
 Date : 26/07/2010  
 Appr. : BD

Issue	Revisions	Name	Appr.
1115 B	Update	MR	BD
1035 B	Material Change of Nut tail of pig	RV	BD

**RADIALL®**  
 101, rue P. Hoffmann  
 93116 ROSNY/BOIS  
 FRANCE  
 Tel : (33) 0149353535  
 Fax : (33) 0148546363

Dimensions in mm

### GENERAL CHARACTERISTICS (R2CT kit plug assembled on cable)

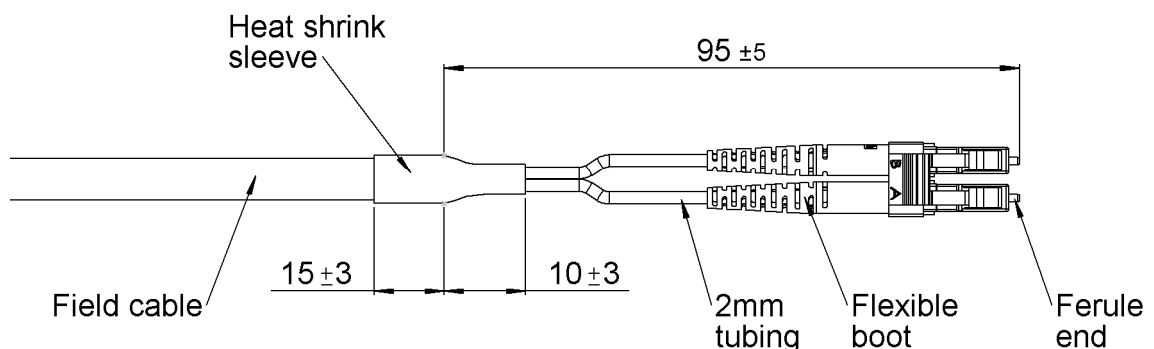
<b>Mechanical :</b> Endurance Tensile load Vibration	100 mating cycles 200N see validation plan
<b>Environmental</b> Protection Operating temperature EMI protection	IP65 : connector mated with Receptacle -40°C to + 85°C No requirement

➤ RoHS compliant

 ➤ Types of cable assemblies to use :

Connector is planned for field cables only

- All types of optical cable assemblies with field cable : LC duplex, multimode or singlemode
- Diameter of field cable : 4,8 to 7 mm
- Other diameter from 7 to 11 mm : in progress of validation

 ➤ Fan out dimensions :


<b>CREATION</b> N°Project : EPC0812 Name : RV Date : 26/07/2010 Appr. : BD				
	1115 B	Update	MR	BD
	1035 B	Material Change of Nut tail of pig	RV	BD
	Issue	Revisions	Name	Appr.

**RADIALL®**  
 101, rue P. Hoffmann  
 93116 ROSNY/BOIS  
 FRANCE  
 Tel : (33) 0149353535  
 Fax : (33) 0148546363

Dimensions in mm

**VALIDATION PLAN**

<i>Parameter</i>	<i>Specification</i>
<b>OPTICAL</b>	
Insertion Loss	IEC 61300-3-4
Return Loss	IEC 61300-3-6
<b>MECHANICAL</b>	
Mating Endurance	IEC 61300-2-2
Vibrations	IEC 61300-2-1
Shocks	IEC 61300-2-9
<b>ENVIRONMENTAL</b>	
Ingress Protection	IEC 60529
Temperature cycling	IEC 61300-2-22
Salt Mist	IEC 61300-2-26

**Packaging specification**

- Unitary plastic bag 180mm\*130mm

<b>CREATION</b> N°Project : EPC0812 Name : RV Date : 26/07/2010 Appr. : BD				
	1115 B	Update	MR	BD
	1035 B	Material Change of Nut tail of pig	RV	BD
	Issue	Revisions	Name	Appr.
				<b>RADIALL®</b> 101, rue P. Hoffmann 93116 ROSNY/BOIS FRANCE Tel : (33) 0149353535 Fax : (33) 0148546363