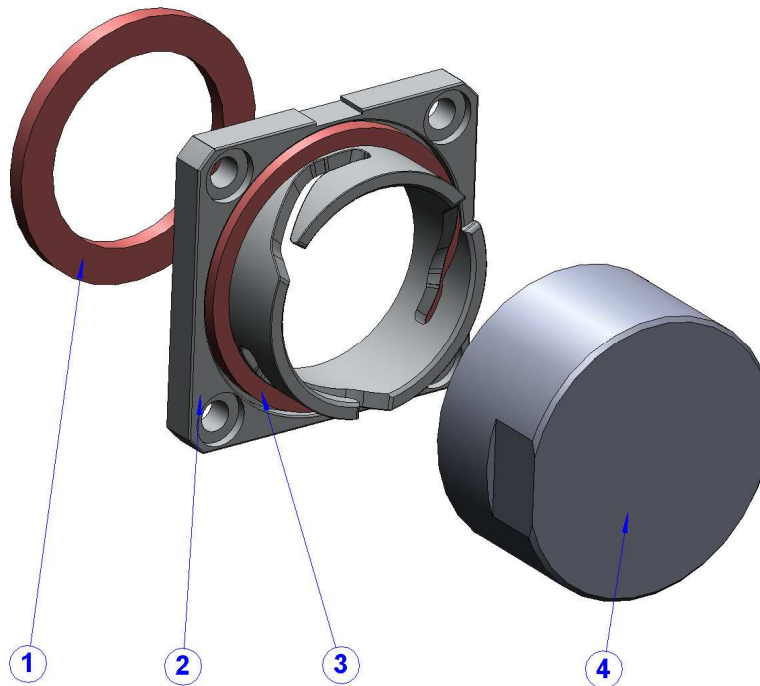


Dimensions in mm



PATENT PENDING

DESCRIPTION

REP	COMPONENT	MATERIALS	PLATING
1	GASKET PANEL SEALING	SILICONE	
2	RECEPTACLE BODY	BRASS	NICKEL OVER COPPER
3	GASKET CONNECTION SEALING	SILICONE	
4	PROTECTION CAP	ALUMINIUM (matt finish)	NONE

GENERAL CHARACTERISTICS

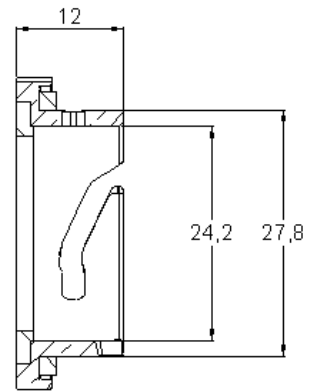
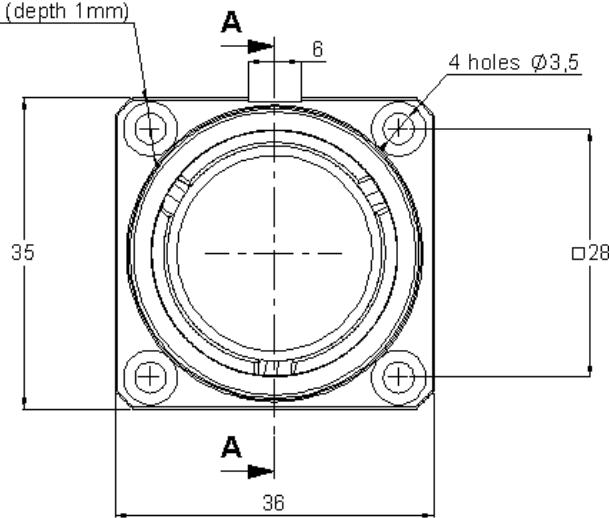
Mechanical : Endurance Vibrations	100 mating cycles In accordance with IEC 61300-2-1 IEC 60721-3-4 class 4M5 ETSI EN 300 019-2-4
Environmental: Protection Operating temperature	IP67 (plugged with metal protection cap or mated part) -40°C to + 85°C
Weight :	45g

CREATION N°Project : EPC0812 Name: RV Date: 26/07/2010 Appr.: BD				
	1212 A	Add matt finish on protection cap	G CHEN	F WU
	1114 A	Update	MR	BD
	1030 A	Creation	RV	BD
	Issue	Revisions	Name	Appr.

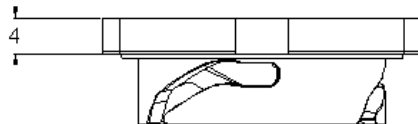
RADIALL®
 101, rue P. Hoffmann
 93116 ROSNY/BOIS
 FRANCE
 Tel : (33) 0149353535
 Fax : (33) 0148546363

Dimensions in mm

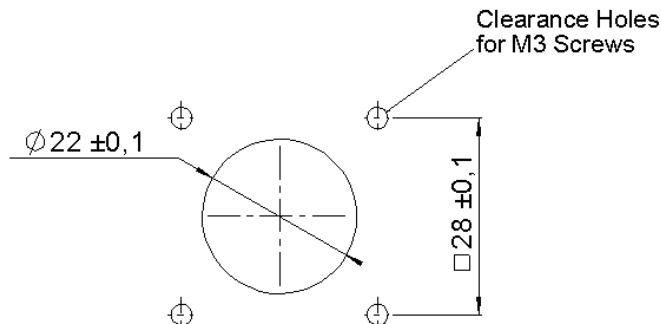
4 counter bore $\varnothing 6,1$ (depth 1mm)



COUPE A-A



PANEL CUT OUT :



PACKAGING :

84 pieces in one cardboard box (volume = 5 L)

<p>CREATION N°Project : EPC0812 Name: RV Date: 26/07/2010 Appr.: BD</p>				
	1212 A	Add matt finish on protection cap	G CHEN	F WU
	1114 A	Update	MR	BD
	1030 A	Creation	RV	BD
Issue	Revisions	Name	Appr.	

RADIALL®
101, rue P. Hoffmann
93116 ROSNY/BOIS
FRANCE
Tel : (33) 0149353535
Fax : (33) 0148546363