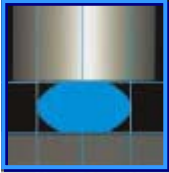


**BARRY
CONTROLS**



TRAXIFLEX

**Natural Frequency:
8 to 10 Hz**



DESCRIPTION

The TRAXIFLEX mounting comprises two opposing metallic 'U' shaped armatures joined by two bonded elastomer pads. Mounting is via a threaded stud on the outer armature and a threaded nut-plate on the inner armature.

APPLICATIONS

TRAXIFLEX mountings can be used to suspend plumbing or any assembly being attached to a suitable supporting structure such as:

- Air distribution ducts.
- Fans
- Hot air generator with continuous airflow.
- Integral housed air conditioner.

OPERATION

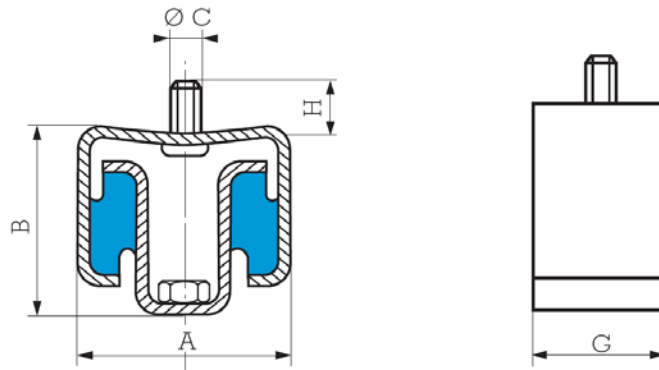
The TRAXIFLEX mount series exhibits the following basic operational characteristics:

- Resilient elastomer element is loaded in combination compression-shear.
- Equivalent deflection under nominal load for each type in series.
- Allows movement due to thermal expansion.
- Isolation of vibration and attenuation of noise.
- Natural frequency:
 - 8 – 10 Hz (within published max/min loads per mount, see : OPERATING CHARACTERISTICS.)
- Resistance to atmospheric exposure corrosion and degradation:
 - Zinc plated armatures
 - Neoprene elastomer.

FEATURES

- Structural metallic parts are shaped to simplify correct positioning during installation.
- Five (5) load ranges overall with two (2) load ranges each for the larger sizes allowing the choice of mounting to be a function of load.
- Economic solution for suppressing structure borne noise from suspended plumbing.

DIMENSIONS



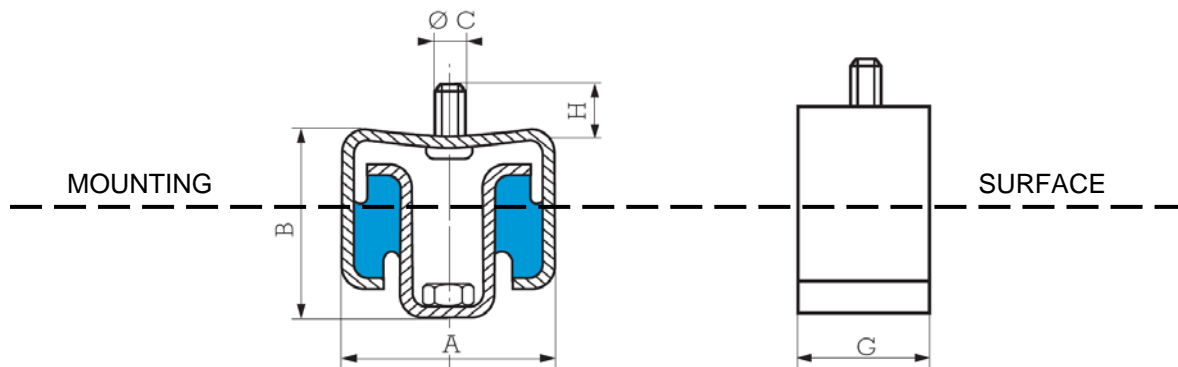
Part Number	A		B		Ø C	G		H	
	mm	in	mm	in		mm	in	mm	in
535603	47	1.850	38	1.496	M6	16	.630	17	.669
535611	55	2.165	47	1.850	M8	30	.118	13	.512
535612	74	2.913	50	1.969	M12	40	1.575	17	.669

LOAD RANGE AND DEFLECTION

Load Range		Deflection at max load		Part Number
Kg	lbs	mm	in	
4 - 18	9 - 40	4	.157	535603
10 - 52	22 - 115	4	.157	535611 - 45
20 - 79	44 - 175	4	.157	535611 - 60
20 - 91	44 - 200	4	.157	535612 - 45
30 - 136	66 - 300	4	.157	535612 - 60

INSTALLATION

TRAVIFLEX mounts should only be installed with the stud and nut center line opposing the plane of the mounting surface as seen below.



When installing, ensure that all the TRAXIFLEX mountings of a given size are supporting the same load to maintain common natural frequency.

It is necessary for the TRAVIFLEX to all be the same distance from the anchoring structure; i.e., ceiling, girder, beam, etc., to avoid pre-loading of the mount.