

SPECIAL BUSHES

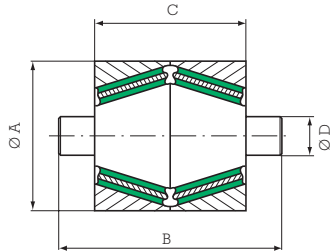


Fig. 1

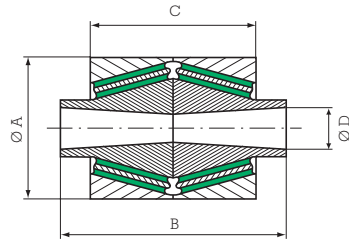


Fig. 2

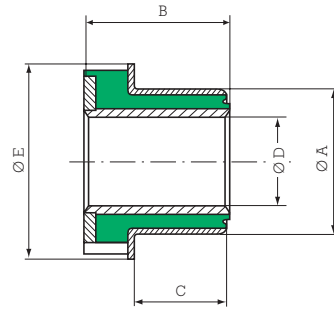


Fig. 3

Reference	Fig.	Ø A mm	B mm	C mm	Ø D mm	Ø E mm	Radial stiffness KN/mm	Axial stiffness KN/mm
563468	2	180	200	140	Ø 68 cone	-	85	10
562908	1	140	254	160	50 x 56	-	85	17
562912	1	140	273	145	Ø 63	-	20	5
563533	2	185	190	150	Ø 70 cone	-	57.5	16.75
563550	2	185	190	150	Ø 68	-	57.5	16.75
563443	2	132	154	136	Ø 70	-	140	5
531293	3	110	55	42	Ø 50	86	17	8
531367	3	110	95	33	Ø 52	150	10	50
531330	3	122	72	54	Ø 70	162	40	30
563352	1	122	254	120	Ø 50	-	4	5

