

# BARRY CONTROLS



DEFENSE & INDUSTRY  
Antivibration



**Question:** Have I damaged my Cup-Style Mount if the threaded core spins when I try to tighten it?

**Answer:** No, the mount is not necessarily damaged.

A common feature of Barry Controls' Cup Style Mounts is a core that is not bonded to the rubber or other resilient elements (e.g. coil springs). The T-Mount Series is the exception where the core is bonded to the rubber section, but that molded assembly is not bonded to the cup or plate structures. Refer to Figure 1 for typical cross-section views of Barry Controls Cup-Style Mounts.

Therefore, although the fits are tight due to preload in the rubber sections or springs (depending on the styles), the cores and molded assemblies can spin without damage. Of course, some damage could be produced if the spin is continuous.

It is always best practice to hold the core to prevent spinning, if for no other reason than to obtain proper fastener torque. (See our FAQ on Bolt Torque for additional information.) Most of the series have holding features integral to the core, such as wrench flats or holes in the core sidewall. These holes will accept rods or spanner wrenches. A strap wrench might be used to hold the outer cup for the Cupmount Series as they do not include specific holding features.

Special features can be added when holding is required beyond what is available on the standard offering. Contact the factory for further information.

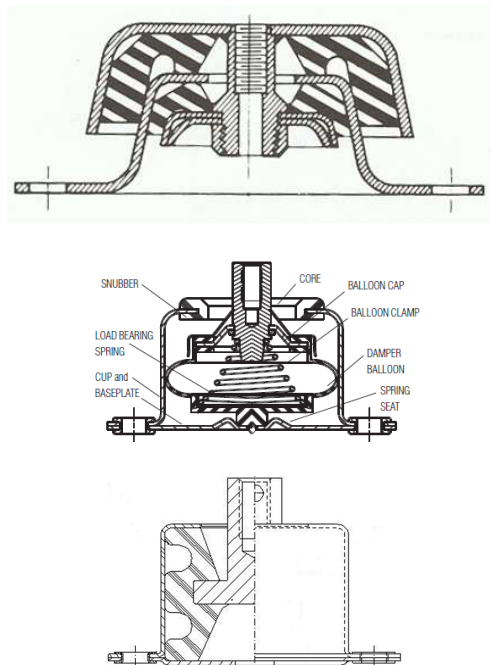


Figure 1 – Typical cross-section views of Barry Controls Cup-Style Mounts.  
From top to bottom: Cupmount, S-Mount, T-Mount.