

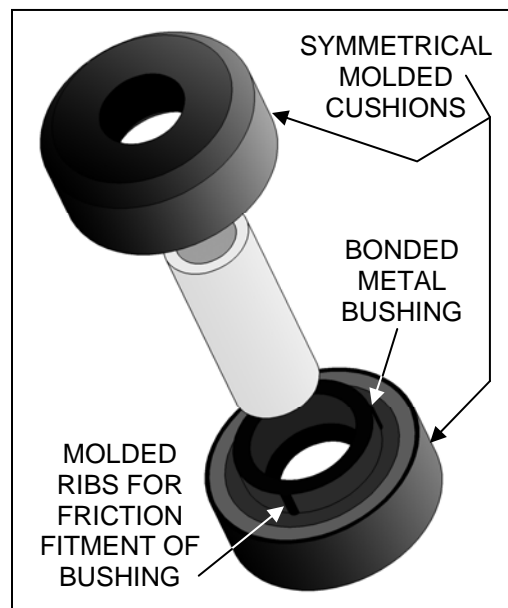


## 44000 MOUNT SERIES

Armor plated, low profile, high capacity mounts for vibration and shock protection specifically designed for internal combustion engines.

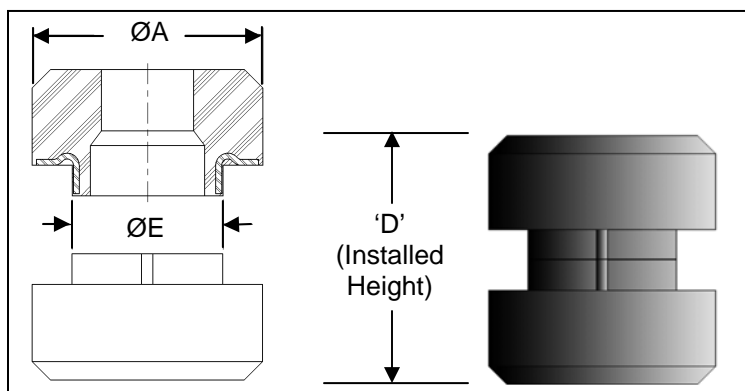
### APPLICATIONS:

- Powertrains for
  - Buses
  - Construction equipment
  - Ground support equipment
  - Marine drives
  - Farming equipment
  - Forestry equipment
  - Trucks
  - Turf-care equipment
- Power generators
  - Auxiliary power units
  - Portable gensets
  - Railcar power units
- Refrigeration units
  - Air-conditioning
  - Cold transport refers



### FEATURES:

- Dimensionally interchangeable with entire 22000 series installations for A, E and D (see table in Dimensional Data) when using same hardware
- Same load ratings as 22000 series with improved isolation efficiency
- Symmetrical design provides for reverse-proof installation
- Molded-in ribs on bushing OD provides friction fit for easy installation
- Axial-to-Radial stiffness 4:1
- Available in Neoprene or Natural Rubber



### BENEFITS:

- Improved durability and service life over 22000 series equivalent
  - Bonded metal flange reduces contact corner stress at support interface
- Faster installation
  - No force fitting of bushing into mounting hole
- Lower installation cost
  - Eliminates need to machine radius of the mounting hole
  - Eliminates need to machine finish contact surface of the mounting hole
- Multiple support plate thicknesses can be accommodated by varying tube length (Contact Barry Engineering for specifics on this feature)



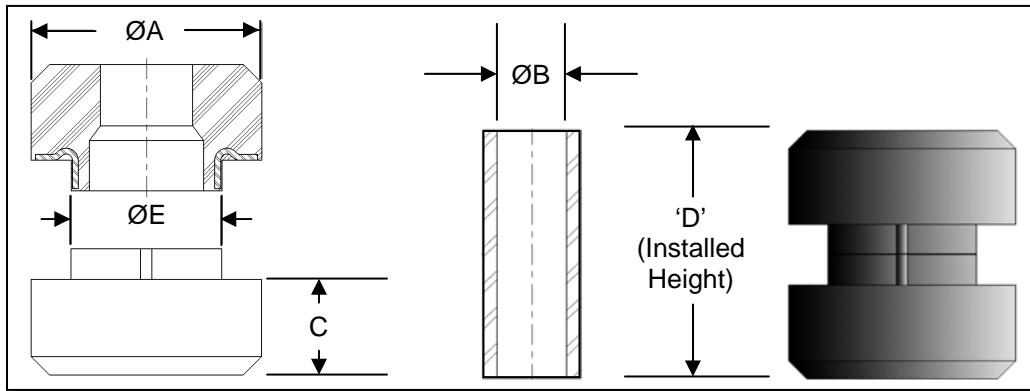
## SPECIFICATIONS:

- Natural frequency 8-18 hz with 12-15 hz optimum
- Transmissibility at resonance 8:1
- Resilient element Neoprene or Natural Rubber
- Structural elements Low carbon steel plate and sintered metal tube
- Weight See table in Dimensional Data for each size

## ENVIRONMENTAL DATA:

- Neoprene elastomer has an operating temperature range of -20°F to 180°F (-30°C to +82°C) and is resistant to most oils, solvents and ozone.
- Natural Rubber elastomer has an operating temperature of -20°F to 180°F (-30°C to +82°C)

## DIMENSIONAL DATA:



SIZE	Ø A		Ø B		C		D		Ø E		Weight	
	Inch	mm	Inch	mm	Inch	mm	Inch	mm	Inch	mm	Lbs. oz.	grams
44001	1.31	33.274	.397	10.084	0.50	12.7	1.25	31.75	.750	19.05	1.5 oz.	43
44002	1.88	47.752	.532	13.513	0.78	19.812	1.94	49.276	1.23	31.242	5.0 oz.	142
44003	2.55	64.77	.657	16.688	0.90	22.86	2.43	61.722	1.48	37.592	11.0 oz.	312
44004	3.50	88.9	.938	23.826	1.00	25.4	2.88	73.152	2.23	56.642	1 lb.7.5 oz.	667
44005	4.88	123.952	1.063	27.001	1.25	31.75	3.38	85.852	2.47	62.738	2 lb. 14 oz.	1,305



## PART NUMBER DESIGNATIONS, MATERIALS AND LOAD RANGES:

<u>PART NUMBER</u>	<u>AXIAL LOAD RATING (MAX)</u>		<u>ELASTOMER MATERIAL</u>	<u>COLOR CODE</u>
<b>44001</b>				
44001-1	40 LBS	18 KG	NATURAL RUBBER	RED
44001-2	90 LBS	41 KG	NATURAL RUBBER	YELLOW
44001-3	140 LBS	64 KG	NATURAL RUBBER	GREEN
44001-4	250 LBS	113 KG	NATURAL RUBBER	BLUE
44001-5	300 LBS	136 KG	NATURAL RUBBER	PURPLE
44001-11	40 LBS	18 KG	NEOPRENE	RED AND WHITE
44001-12	90 LBS	41 KG	NEOPRENE	YELLOW AND WHITE
44001-13	140 LBS	64 KG	NEOPRENE	GREEN AND WHITE
44001-14	250 LBS	113 KG	NEOPRENE	BLUE AND WHITE
44001-15	300 LBS	136 KG	NEOPRENE	PURPLE AND WHITE
<b>44002</b>				
44002-1	130 LBS	59 KG	NATURAL RUBBER	RED
44002-2	175 LBS	79 KG	NATURAL RUBBER	YELLOW
44002-3	240LBS	109 KG	NATURAL RUBBER	GREEN
44002-4	380 LBS	172 KG	NATURAL RUBBER	BLUE
44002-5	630 LBS	286 KG	NATURAL RUBBER	PURPLE
44002-11	130 LBS	59 KG	NEOPRENE	RED AND WHITE
44002-12	175 LBS	79 KG	NEOPRENE	YELLOW AND WHITE
44002-13	240LBS	109 KG	NEOPRENE	GREEN AND WHITE
44002-14	380 LBS	172 KG	NEOPRENE	BLUE AND WHITE
44002-15	630 LBS	286 KG	NEOPRENE	PURPLE AND WHITE
<b>44003</b>				
44003-1	210 LBS	95 KG	NATURAL RUBBER	RED
44003-2	350 LBS	159 KG	NATURAL RUBBER	YELLOW
44003-3	490 LBS	222 KG	NATURAL RUBBER	GREEN
44003-4	860 LBS	390 KG	NATURAL RUBBER	BLUE
44003-5	1330 LBS	603 KG	NATURAL RUBBER	PURPLE
44003-11	210 LBS	95 KG	NEOPRENE	RED AND WHITE
44003-12	350 LBS	159 KG	NEOPRENE	YELLOW AND WHITE
44003-13	490 LBS	222 KG	NEOPRENE	GREEN AND WHITE
44003-14	860 LBS	390 KG	NEOPRENE	BLUE AND WHITE
44003-15	1330 LBS	603 KG	NEOPRENE	PURPLE AND WHITE
<b>44004</b>				
44004-1	270 LBS	122 KG	NATURAL RUBBER	RED
44004-2	510 LBS	231 KG	NATURAL RUBBER	YELLOW
44004-3	770 LBS	349 KG	NATURAL RUBBER	GREEN
44004-4	1170 LBS	530 KG	NATURAL RUBBER	BLUE
44004-5	2100 LBS	952 KG	NATURAL RUBBER	PURPLE
44004-11	270 LBS	122 KG	NEOPRENE	RED AND WHITE
44004-12	510 LBS	231 KG	NEOPRENE	YELLOW AND WHITE
44004-13	770 LBS	349 KG	NEOPRENE	GREEN AND WHITE
44004-14	1170 LBS	530 KG	NEOPRENE	BLUE AND WHITE
44004-15	2100 LBS	952 KG	NEOPRENE	PURPLE AND WHITE
<b>44005</b>				
44005-1	1140 LBS	517 KG	NATURAL RUBBER	RED
44005-2	1930 LBS	875 KG	NATURAL RUBBER	YELLOW
44005-3	2580 LBS	1170 KG	NATURAL RUBBER	GREEN
44005-4	3540 LBS	1605 KG	NATURAL RUBBER	BLUE
44005-5	4560 LBS	2068 KG	NATURAL RUBBER	PURPLE
44005-11	1140 LBS	517 KG	NEOPRENE	RED AND WHITE
44005-12	1930 LBS	875 KG	NEOPRENE	YELLOW AND WHITE
44005-13	2580 LBS	1170 KG	NEOPRENE	GREEN AND WHITE
44005-14	3540 LBS	1605 KG	NEOPRENE	BLUE AND WHITE
44005-15	4560 LBS	2068 KG	NEOPRENE	PURPLE AND WHITE