

# Emcor Wall Mount Enclosures

## Emcor's New *"W-Series"* Wall Mount Enclosures

The new *"W-Series"* enclosures are designed for use anywhere that space is an issue. These rugged, 19 inch welded cabinets provide the same legendary quality of materials and construction that Emcor racks are noted for.

The enclosures come completely assembled with lockable front door and wall mount section. The entire enclosure can be rotated to allow the cabinet section to open either to the left or right. The front door can also be rotated for left or right hinged applications.

The cabinet section has openings on the top, bottom, and on both sides. The panels for these openings are interchangeable and are available in solid, vented, or fan panel configurations.

The hinged wall-mount section has cable access knockouts located on the top and bottom flange for fast, easy cable management.



*Rear view showing hinged wall-mount section and cable routing*



*Front view showing door with glass panel.*

Emcor's new *"W-Series"* enclosures offer the perfect solution for smaller projects.

- Enclosure can be rotated for left or right hand opening
- Available in 24.5" and 32" cabinet section depths
- 12U and 18U, 19" opening
- 12" wide x 10" high openings in wallmount section for easy access to the electrical box
- Adjustable mounting rails
- Convenient cable access knockouts for easy cable management
- Available in nine contemporary paint colors

For innovative products, strength, rigidity, and "Have it your way" configurations, there is simply no better choice than Emcor Enclosures!

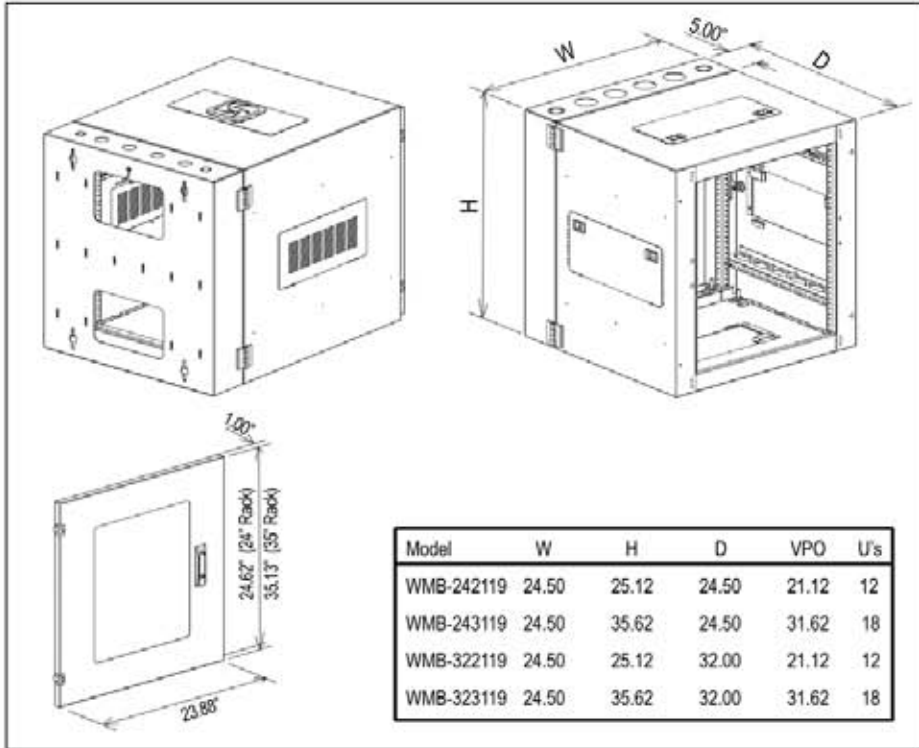
*See specifications and ordering guide on back.*



1600 4th Ave N.W., Rochester, MN 55901 Tel: 507-287-3535

[www.emcorenclosures.com](http://www.emcorenclosures.com)

# Emcor's New "W-Series" Enclosures



Emcor offers nine proprietary paint colors to choose from (see samples below). These durable baked-on enamels are available in a textured finish. If you need a custom paint color, we will match your paint chip or any Federal Standard 595 color with our digital color computer to guarantee you a consistent color match every time. Contact the factory for pricing and details.

*Note: The color samples show below are for reference only and may not match the actual paint colors due to variations in the printing process. Actual paint samples are available upon request.*



		Ordering Guide		
Frame	Door		Access Panels	
		Solid	Vented	Fan
		<i>Supplied with Frame</i>		
WMB-242119	DS-WWL-2119	XPN-0615	XPN-0615-V	XPN-0615-FP
WMB-322119	DS-WWL-2119	XPN-0615	XPN-0615-V	XPN-0615-FP
WMB-243119	DS-WWL-3119	XPN-0615	XPN-0615-V	XPN-0615-FP
WMB-323119	DS-WWL-3119	XPN-0615	XPN-0615-V	XPN-0615-FP

Represented By

